

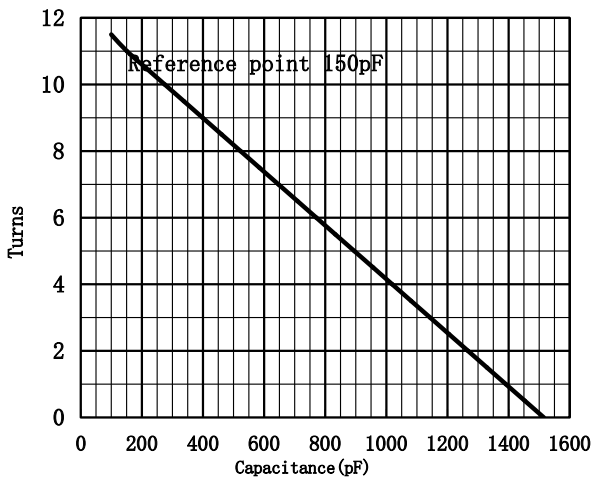
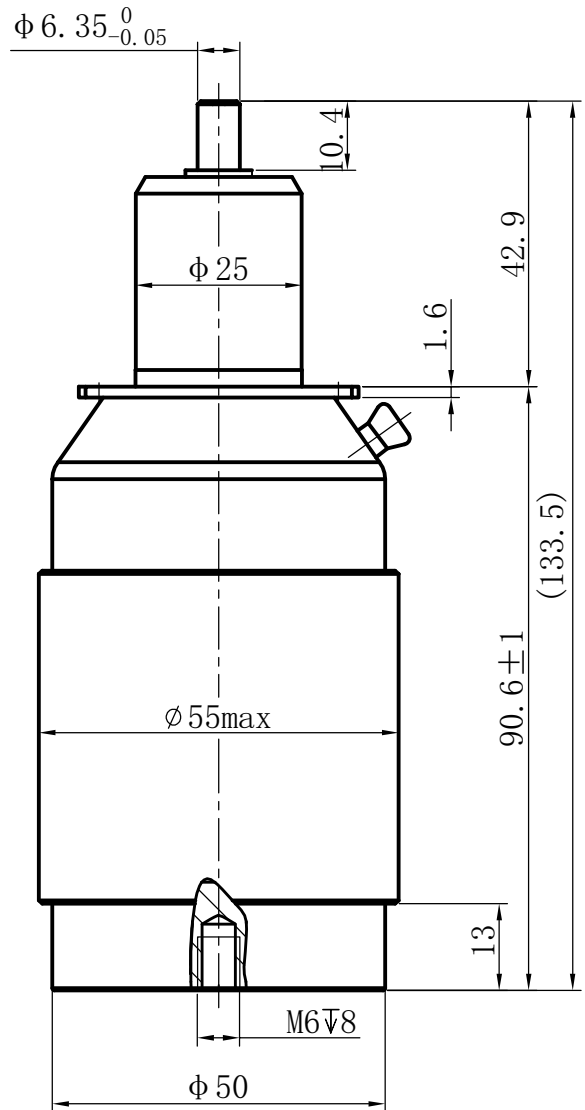
# Data-Sheet-Variable Vacuum Capacitor

## CKTB1500/4/85N1

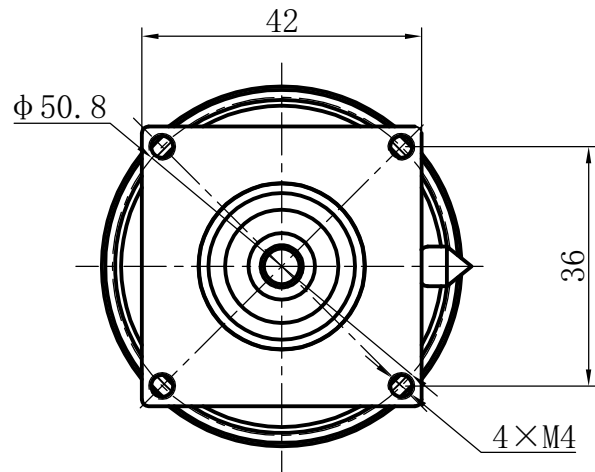
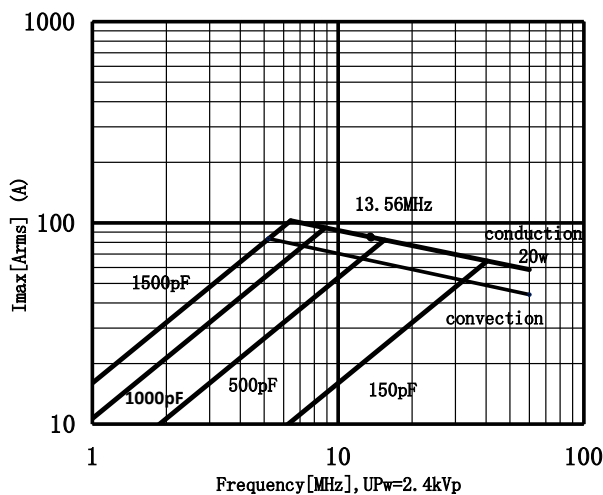


www.glvac.com

Specification	
Capacity $C_{max}$ (nominal)	1500pF
Capacity $C_{min}$ (nominal)	150pF
Voltage (Peak Test $U_{pt}$ /Peak Working $U_{pw}$ )	4kVp/2.4kVp
Capacity tolerance (linear Range)	$\pm 10\%$
Max. Current $I_{max}$ at 13.56MHz with conduction cooling	85Arms
	20W
Tuner Turns	$11.5 \pm 0.5$
Capacitance per turn	124.5pF/turn
Torque	$\leq 0.2N \cdot m$
Net Weight	0.7kg



$I_{max}$  at 25°C ambient and 125 °C surface temp. for convection and conduction (20W) cooling.



UNLESS OTHERWISE SPECIFIED:

$\leq 30$ :  $\pm 0.5$  30~400:  $\pm 1.2$   $\geq 400$ :  $\pm 2.5$   $\angle$ :  $\pm 1^\circ$

Rev: 00

Page1/1

Issue: 15-Sep-2023

Address: ST28 Xihu Road, Kunshan, Jiangsu Province, China  
TEL: +86 (512) 36872110

Web: www.glvac.com  
FAX: +86 (512) 36872122

E-mail: e-sales@glvac.cn  
Zip Code: 215333