



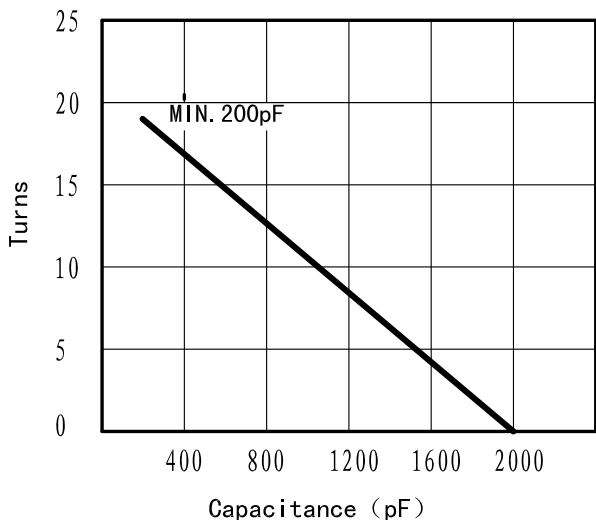
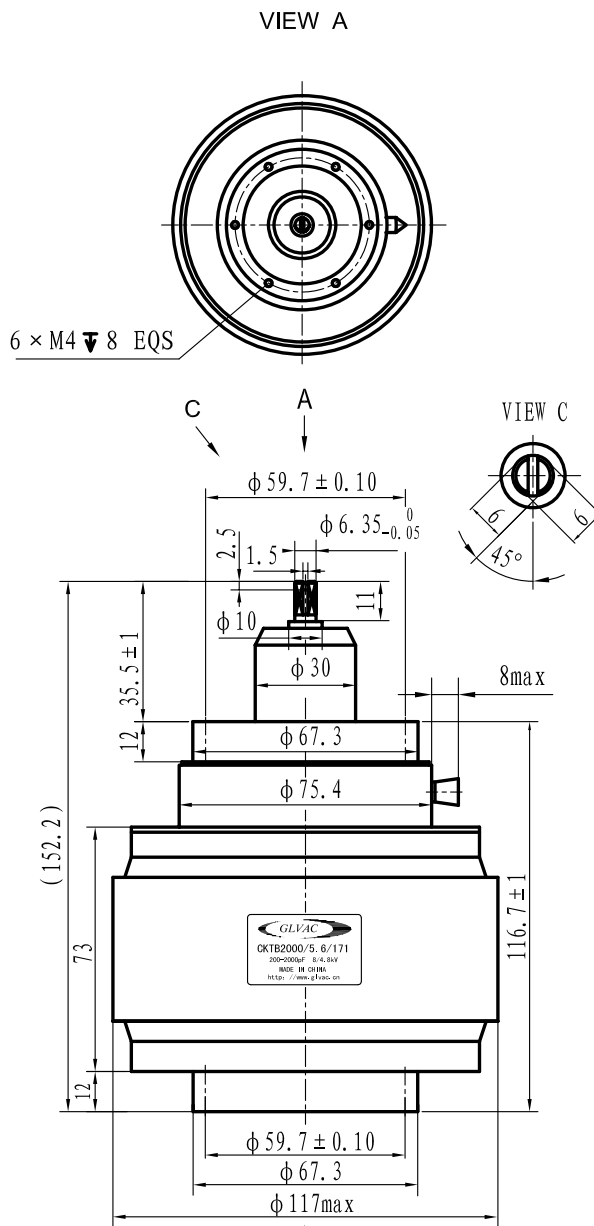
Data-Sheet-Variable Vacuum Capacitor

CKTB2000/5.6/171



www.glvac.cn

Specification	
Capacity $C_{max}$ (nominal)	2000pF
Capacity $C_{min}$ (nominal)	200pF
Voltage (Peak Test $U_{pt}$ /Peak Working $U_{pw}$ )	8kV/4.8kV
Capacity tolerance (liner Range)	10%
Max. Current $I_{max}$ at 13.56MHz with	171Arms
Conduction Cooling	50W
Capacitance per turn	94.1pF/turn
Torque	$\leq 0.6Nm$
Net Weight	2.6kg



$I_{max}$  at ambient and 125 °C surface temp. for convection and conduction (50w) cooling

