



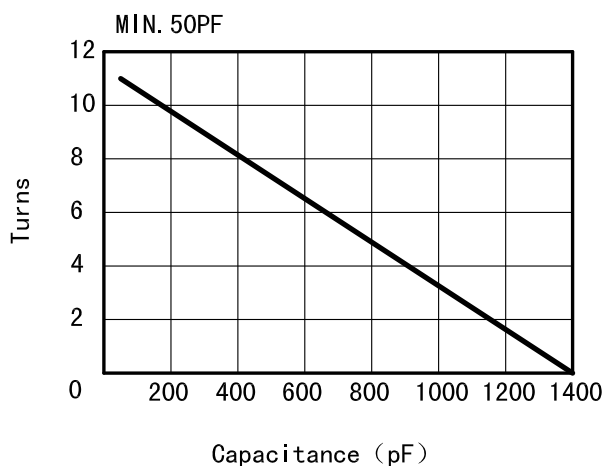
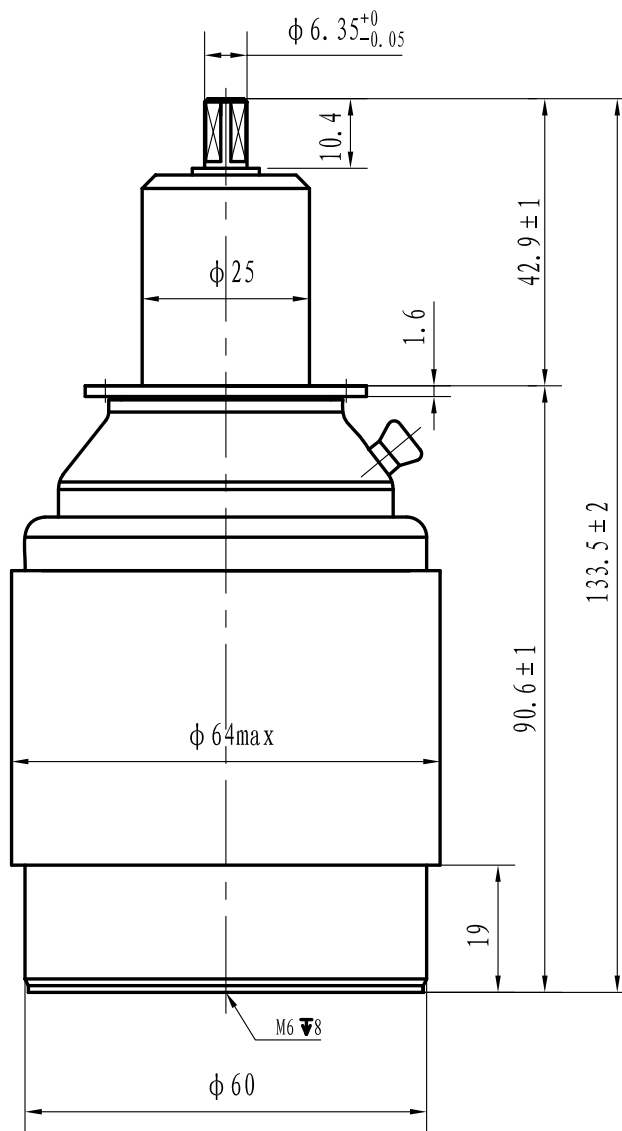
Data-Sheet-Variable Vacuum Capacitor

CKTB1400/2. 8/94



www.glvac.cn

Specification	
Capacity C_{max} (nominal)	1400pF-1450pF
Capacity C_{min} (nominal)	50pF
Voltage (Peak Test U_{pt} /Peak Working U_{pw})	4kV/2.4kV
Capacity tolerance (liner Range)	10%
Max. Current I_{max} at 13.56MHz with	94Arms
Conduction Cooling	50W
Capacitance per turn	127pF/turn
Torque	$\leq 0.2Nm$
Net Weight	0.9kg
Turns	11 ± 0.5



I_{max} at 25 °C ambient and 125 °C surface for convection and conduction (50w) cooling

