



Data-Sheet-Variable Capacitor

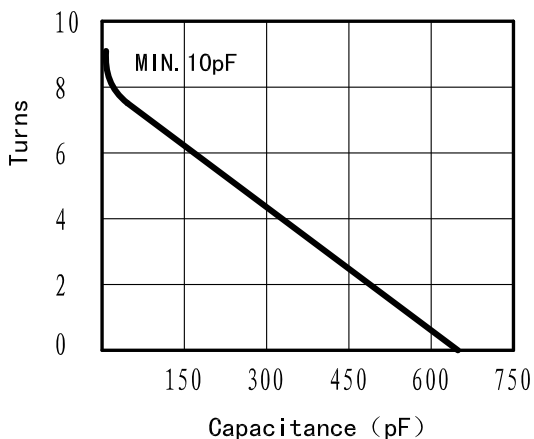
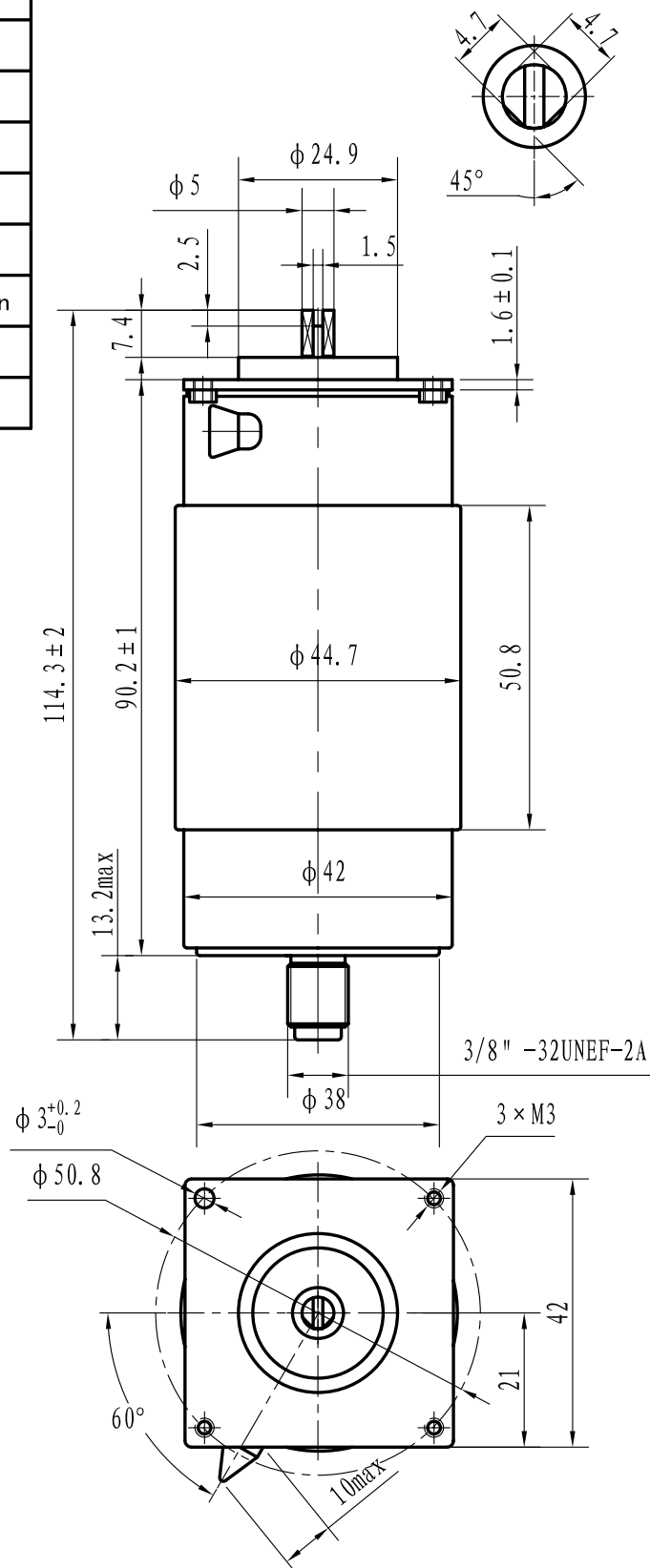
CKTB650/3.5/63(I)



www.glvac.cn

Specification	
Capacity C_{max} (nominal)	650pF
Capacity C_{min} (nominal)	8pF
Voltage (Peak Test U_{pt} /Peak Working U_{pw})	5kV/3kV
Capacity tolerance (liner Range)	10%
Max. Current I_{max} at 13.56MHz with	63Arms
Conduction Cooling	20W
Capacitance per turn	78.6pF/turn
Torque	$\leq 0.15Nm$
Net Weight	0.4kg

2:1



I_{max} at ambient and 125 °C surface temp. for convection and conduction (20w) cooling

