



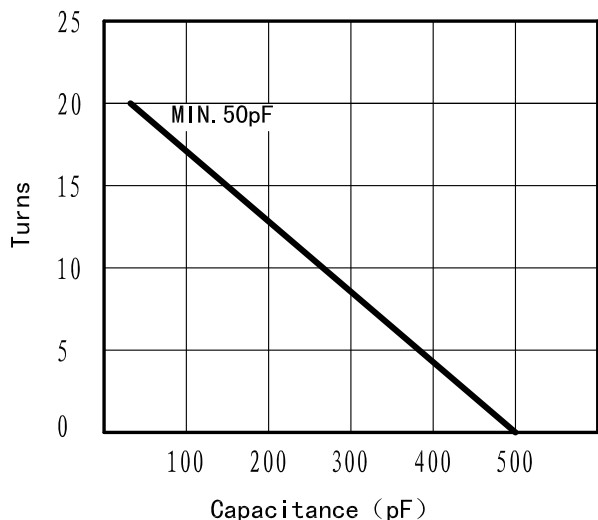
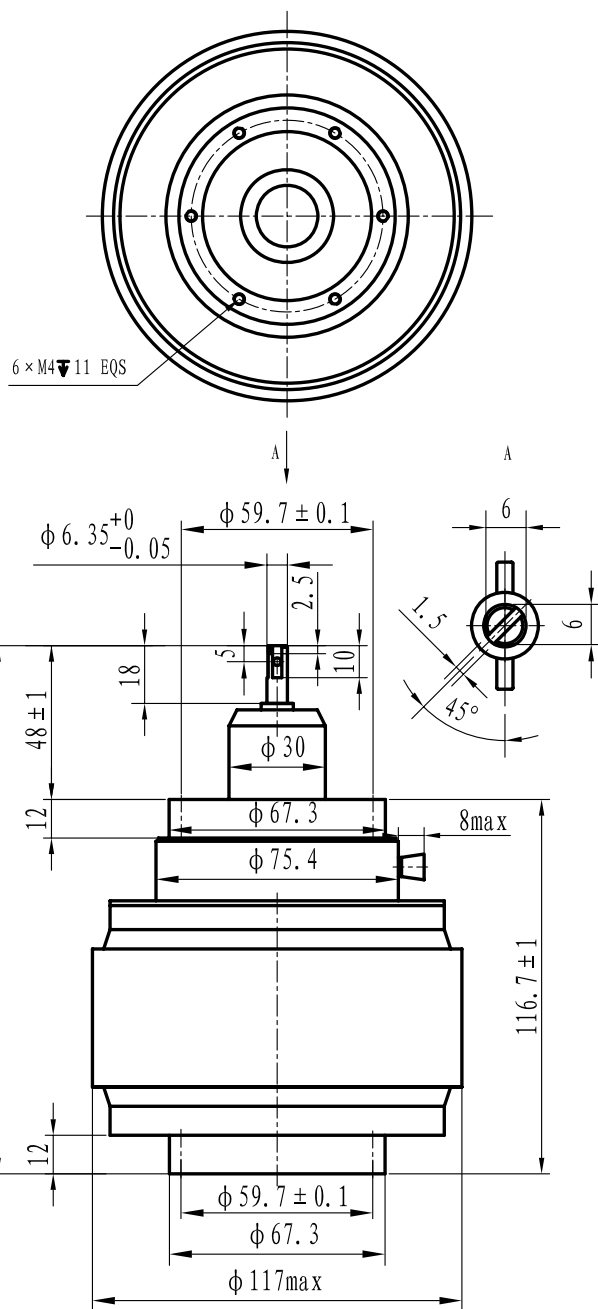
Data-Sheet-Variable Vacuum Capacitor

CKTB500/17.5/170(I)



www.glvac.cn

Specification	
Capacity $C_{max}$ (nominal)	500pF
Capacity $C_{min}$ (nominal)	50pF
Voltage (Peak Test $U_{pt}$ /Peak Working $U_{pw}$ )	25kV/15kV
Capacity tolerance (liner Range)	10%
Max. Current $I_{max}$ at 13.56MHz with	170Arms
Conduction Cooling	30W
Capacitance per turn	23.4pF/turn
Torque	$\leq 0.6Nm$
Net Weight	2.5kg



$I_{max}$  at ambient and 125 °C surface temp. for convection and conduction (30w) cooling

