



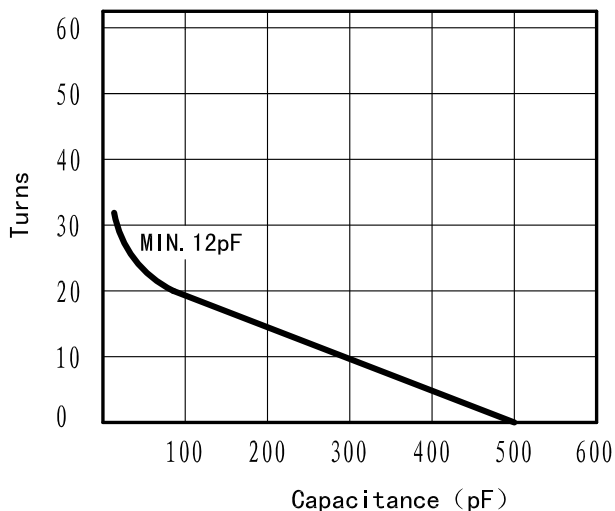
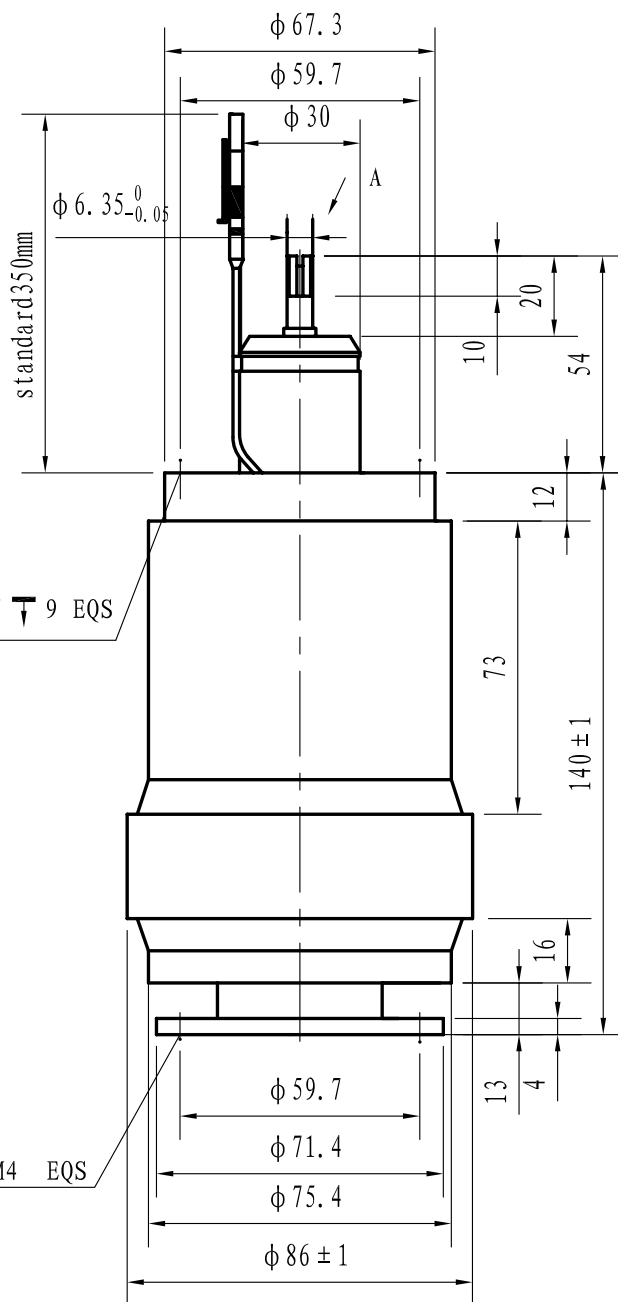
Data-Sheet-Variable Vacuum Capacitor

CKTB500/10/67



www.glvac.cn

Specification	
Capacity $C_{max}$ (nominal)	500pF
Capacity $C_{min}$ (nominal)	12pF
Voltage (Peak Test $U_{pt}$ /Peak Working $U_{pw}$ )	15kV/9kV
Capacity tolerance (liner Range)	10%
Max. Current $I_{max}$ at 13.56MHz with	67Arms
Conduction Cooling	20W
Capacitance per turn	21.5pF/turn
Torque	$\leq 0.3Nm$
Net Weight	1.8kg



$I_{max}$  at 25 °C ambient and 125 °C surface for convection and conduction (20w) cooling

