



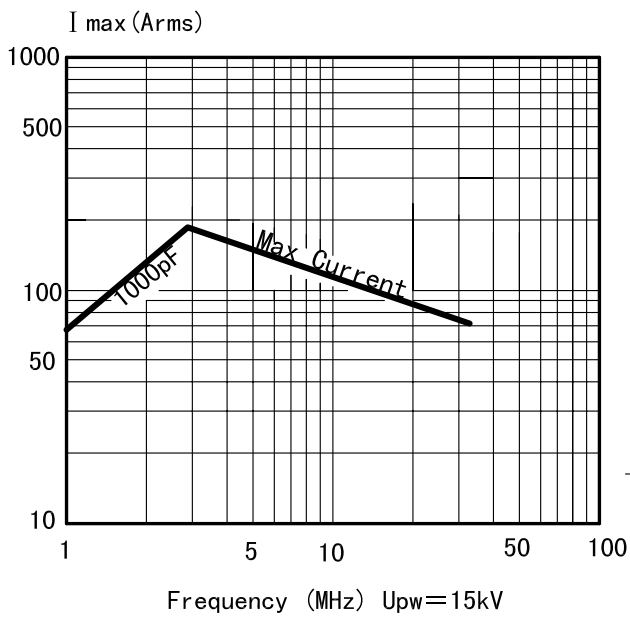
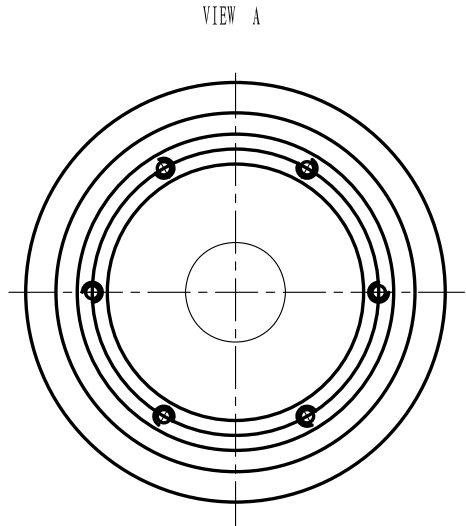
Data-Sheet-Fixed Capacitor

CKT1000/17.5/180

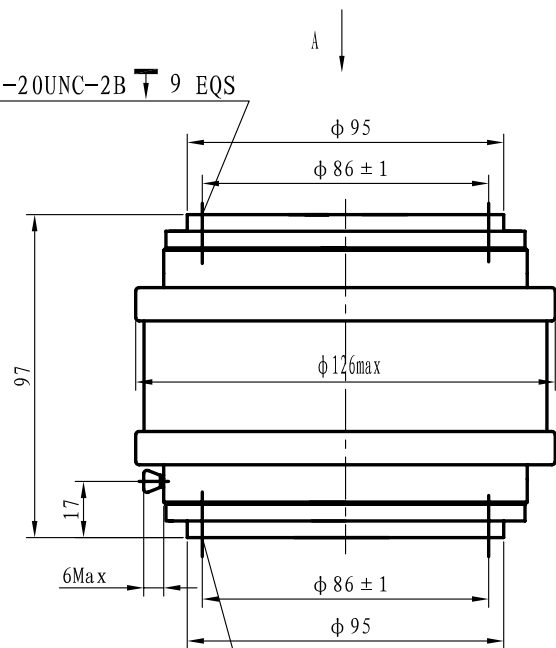


www.glvac.cn

Specification	
Capacity $C_{max}$ (nominal)	1000pF
Voltage (Peak Test $U_{pt}$ /Peak Working $U_{pw}$ )	25kV/15kV
Capacity tolerance	$\pm 5\%$
Max. Current $I_{max}$ at 2.7MHz with	180Arms
Conduction Cooling	
Net Weight	3.12kg



$6 \times 1/4-20UNC-2B \quad \nabla \quad 9 \quad EQS$



$6 \times 1/4-20UNC-2B \quad \nabla \quad 9 \quad EQS$