



Data-Sheet-Fixed Vacuum Capacitor

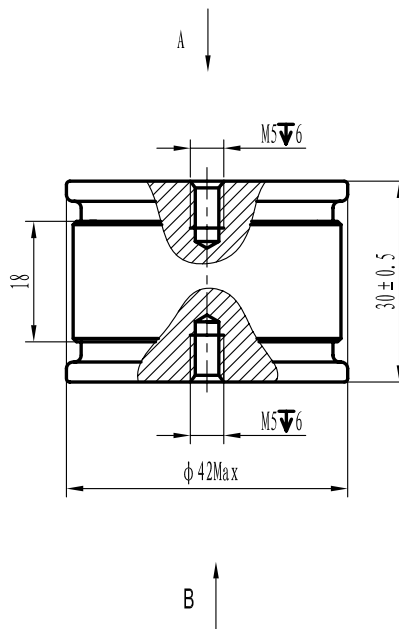
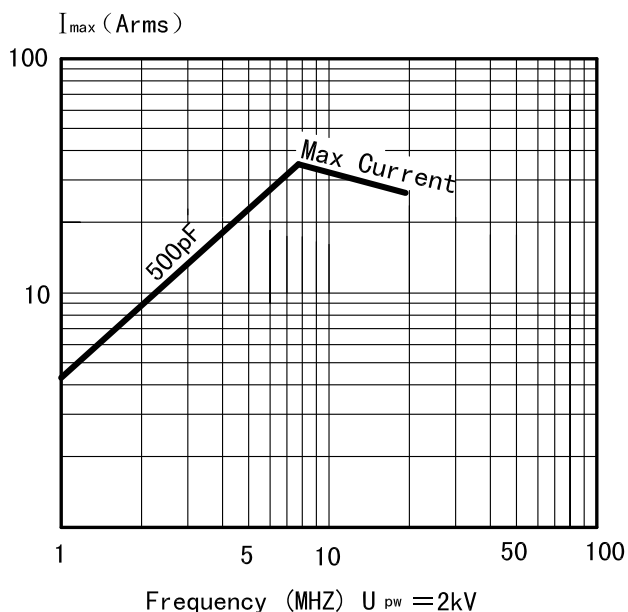
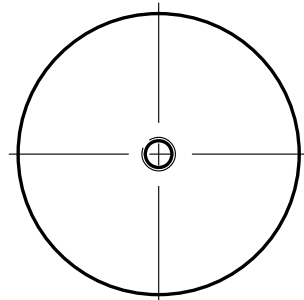
CKT500/2.5/35



www.glvac.cn

Specification	
Capacity C_{max} (nominal)	500pF
Voltage (Peak Test U_{pt} /Peak Working U_{pw})	3.6kV/2kV
Capacity tolerance	$\pm 5\%$
Max. Current I_{max} at 7.8MHz with	35Arms
Conduction Cooling	
Net Weight	0.17kg

VIEW B



VIEW A

