



Data-Sheet-Fixed Vacuum Capacitor

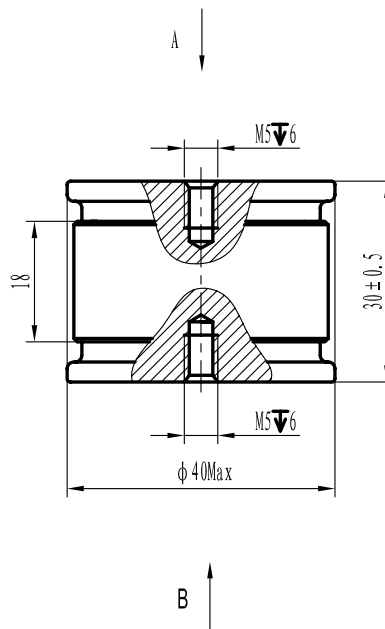
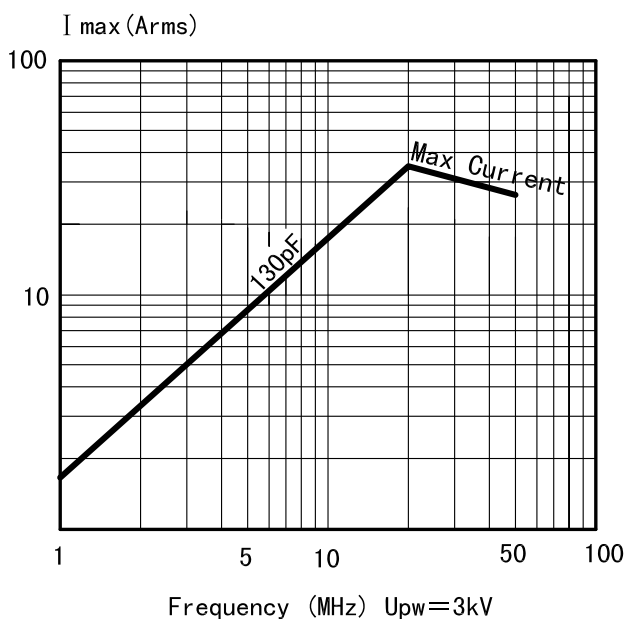
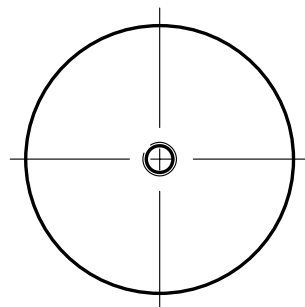
CKT130/3.5/35



www.glvac.cn

Specification	
Capacity C_{max} (nominal)	130pF
Voltage (Peak Test U_{pt} /Peak Working U_{pw})	5kV/3kV
Capacity tolerance	$\pm 5\%$
Max. Current I_{max} at 20MHz with	35Arms
Conduction Cooling	
Net Weight	0.16kg

VIEW B



VIEW A

